

Characteristics approved by IMQ and CCC

Rated insulation voltage (Ui): 250 Vac
 Conventional free air thermal current (Ith): 16 A
 Protection against short circuits: type gG fuse 16 A 250 V
 Rated impulse withstand voltage (Uimp): 4 kV
 Conditional short circuit current: 1000 A
 Protection degree of the housing: IP00
 Terminals: screw terminals/faston
 Pollution degree: 3
 Utilization category: AC15
 Operating voltage (Ue): 250 Vac (50 Hz)
 Operating current (Ie): 5 A
 Forms of the contact element: X; Y; C
 Positive opening of contacts on contact blocks: 1, 3

In conformity with standards: EN 60947-1, EN 60947-5-1+ A1:2009, fundamental requirements of the Low Voltage Directive 2006/95/EC.

Please contact our technical service for the list of approved products.

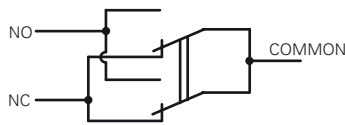
Characteristics approved by UL

Utilization categories Q300 (69 VA, 125-250 Vdc)
 A300 (720 VA, 120 ... 300 Vac)

In conformity with standard: UL 508, CSA 22.2 No.14

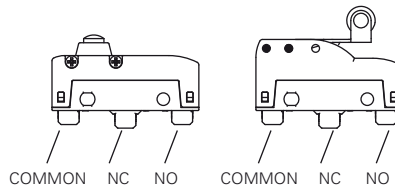
Please contact our technical service for the list of approved products.

Circuit diagram

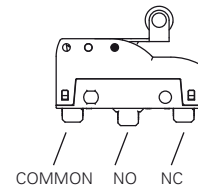


Contacts with single interruption and double contacts

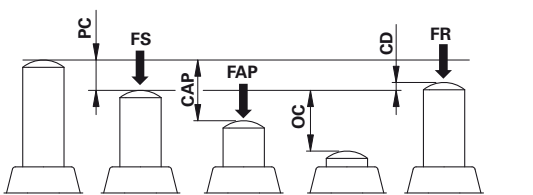
With direct and back direct action (F, D)



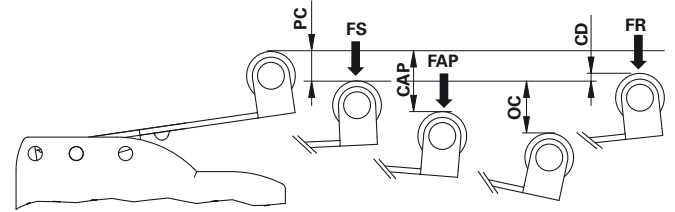
With inverted action (R)



Actuation forces and travels



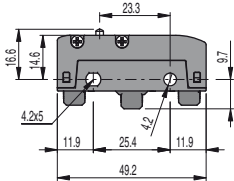
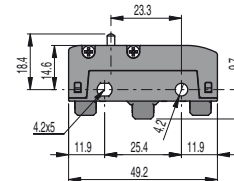
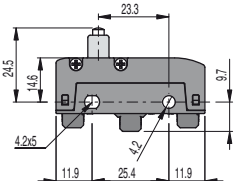
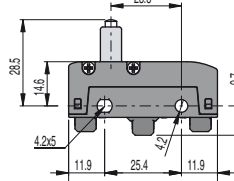
PC pre-travel
 CAP positive opening travel
 OC over-travel
 CD differential travel



FS operating force
 FR releasing force
 FAP positive opening force

Microswitches with direct action

All measures in the drawings are in mm

	
<p>MK V11D01 1NO+1NC PC 0,5 mm OC 1,5 mm CD 0,05 mm FS 4 N FR 3 N</p>	<p>MK V11D02 1NO+1NC PC 0,5 mm OC 2 mm CD 0,05 mm FS 4 N FR 3 N</p>
<p>Maximum and Minimum speed page 245 - type 1</p>	
	
<p>MK V11D03 1NO+1NC PC 0,5 mm OC 2 mm CD 0,05 mm FS 4 N FR 3 N</p>	<p>MK V11D04 1NO+1NC PC 0,5 mm OC 2 mm CD 0,05 mm FS 4 N FR 3 N</p>
<p>Maximum and Minimum speed page 245 - type 1</p>	